



heatilator®

*The first name in fireplaces*



SC60

Wood-Burning Fireplace



The SC60 produces and distributes warmth incredibly well. These large wood fireplaces feature four stainless steel tubes and a strong blower to move heat out into the room. An air kit and flue damper let you control the flames and heat output to match your mood.

## Features

- Large viewing area with 36" wide and 19-1/8" tall opening
- Firebox assembly is fully insulated and comes standard with firebrick lining and outside air kit
- Standard 160 CFM fan with blower control connects directly to stainless steel heat tubes for added heat output
- Ability to control combustion rate and heat output via the air kit and flue damper assemblies
- A hearth extension is required
- SL300 series venting
- Tested and listed to UL safety standards

## Options

### Doors



Bi-fold Glass Door



Gasketed Air Control Door

### Gas Logs

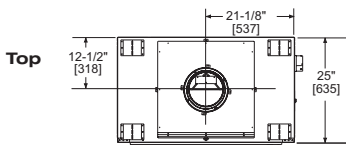


Fireside Supreme Oak Gas Logs

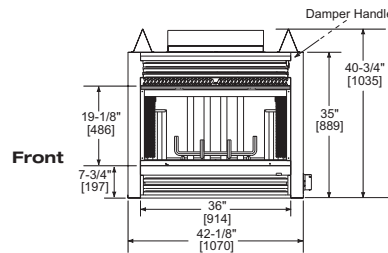
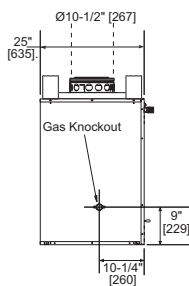
Enjoy the ambiance of roaring wood fires without the hassle. Detailed log sets deliver ambiance and unrivaled convenience.

## Specifications

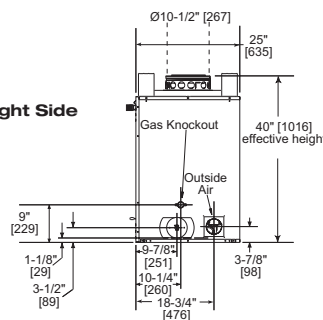
### Dimensions



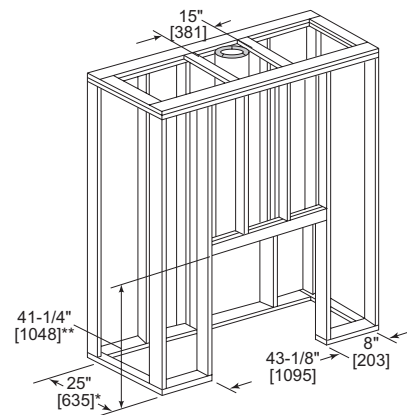
### Left Side



### Right Side



### Framing Dimensions



**Cover:** SC60 shown with gasketed air control door.

### Available from

**heatilator**  
The first name in fireplaces

800-927-6841 | [heatilator.com](http://heatilator.com)  
[facebook.com/Heatilator](https://www.facebook.com/Heatilator)  
[twitter.com/Heatilator](https://twitter.com/Heatilator)  
[youtube.com/HeatilatorFireplaces](https://www.youtube.com/HeatilatorFireplaces)

### Limited Lifetime Warranty<sup>1</sup>

The strongest in the industry, Heatilator provides a limited lifetime warranty on wood-burning products of the most important aspects: firebox and heat exchanger.

<sup>1</sup> For full warranty details go to [heatilator.com](http://heatilator.com).

The information provided in this literature is for planning purposes only and subject to change. Please consult the installation manual for actual installation. Actual product appearance may differ from product images.

Fireplace surfaces get extremely HOT and can cause severe burns if touched. Keep a safe distance away. To learn more visit [www.heatilator.com/fireplacesafety](http://www.heatilator.com/fireplacesafety).

HTL-1024U-0816

