

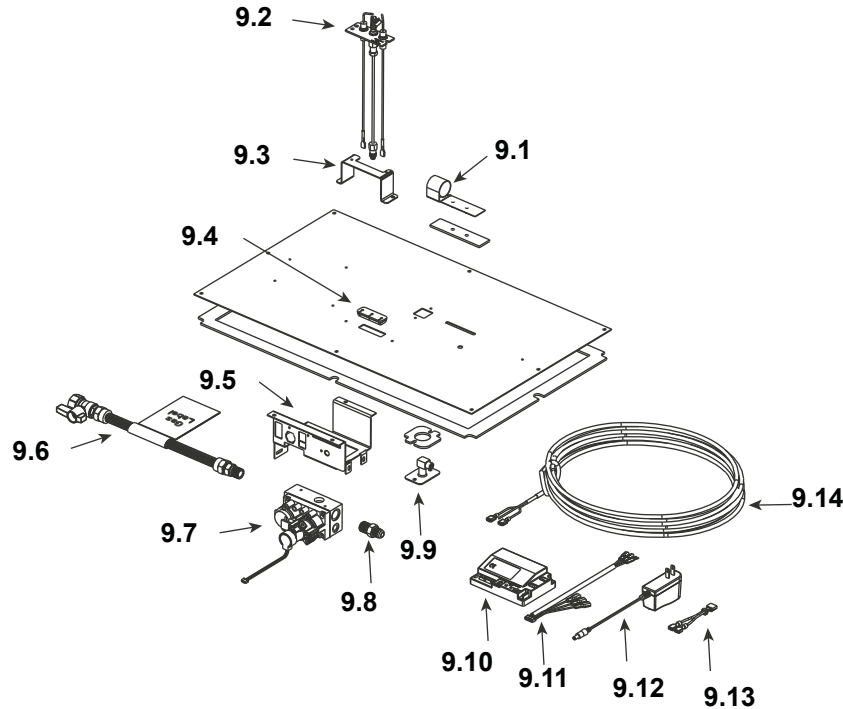
IMPORTANT: THIS IS DATED INFORMATION. Parts must be ordered from a dealer or distributor. **Hearth and Home Technologies does not sell directly to consumers.** Provide model number and serial number when requesting service parts from your dealer or distributor.



Stocked at Depot

ITEM	DESCRIPTION	COMMENTS	PART NUMBER	
1	Non-Combustible Board		2166-136	
2	Refractory Bracket	Qty 2 req	2241-115	
3	Rock Fixture Assembly		2241-040	Y
4	Base Pan Assembly		2241-015	
4.1	Base Pan Back		2241-114	
4.2	Base Pan Front		2241-101	
4.3	Pilot Hood		2241-117	
4.4	Pilot Shield	Stainless	2241-116	
5	Burner Assembly	NG	2241-007	Y
		LP	2241-008	Y
6	Surround Assembly		2166-019	
7	Glass Assembly		GLA-6000G	Y
8	Junction box		4021-013	Y

#9 Valve Assembly



IMPORTANT: THIS IS DATED INFORMATION. Parts must be ordered from a dealer or distributor. **Hearth and Home Technologies does not sell directly to consumers.** Provide model number and serial number when requesting service parts from your dealer or distributor.



Stocked at Depot

ITEM	DESCRIPTION	COMMENTS	PART NUMBER	
9.1	Shutter Bracket Assembly		2118-121	Y
9.2	Pilot Assembly, NG		2090-012	Y
	Pilot Assembly, LP		2090-013	Y
9.3	Pilot Bracket		2241-109	
9.4	3-Hole Grommet		2118-420	
9.5	Valve Bracket		2118-104	
9.6	Flex Ball Valve Assembly		302-320A	Y
9.7	Valve, NG		2166-302	Y
	Valve, LP		2166-303	Y
9.8	Male Connector	Pkg of 5	303-315/5	Y
9.9	Bulkhead w/FlexTube		7000-156	Y
9.10	Control Module		2166-338	Y
9.11	Wire Harness		2166-304	Y
9.12	Switched DC Regulator		2326-131	Y
9.13	Jumper Wire		2187-198	Y
9.14	Thermostat Wire Assembly		2118-170	Y
	Orifice, NG (#40C)		582-840	Y
	Orifice, LP (#55C)		582-855	Y

Additional service part numbers on following page.

IMPORTANT: THIS IS DATED INFORMATION. Parts must be ordered from a dealer or distributor. **Hearth and Home Technologies does not sell directly to consumers.** Provide model number and serial number when requesting service parts from your dealer or distributor.



Stocked
at Depot

ITEM	DESCRIPTION	COMMENTS	PART NUMBER	
	Battery Pack**		2166-323	Y
	**Fuse for battery pack can be sourced locally, not a warranty item. Specs are 250v, 1A fuse, 3/4" long			
	Flue Restrictor		385-128	
	Glass Latch Assembly	Pkg of 2	386-122A/2	Y
	Gasket Assembly Includes Vent, Seal Cap, Burner Neck, Shutter Bracket, Manifold and Valve Plate gaskets		2166-081	
	Media, Standard, 7 lb bags	Clear (Qty 2 req)	4065-111	
	Media (Optional 14 LB bag)	Amber	MEDIA-AMBER-14	
		Black	MEDIA-BLACK-14	
		Cobalt (Blue)	MEDIA-COBALT-14	
	Touch Up Paint		TUP-GBK-12	
	Conversion Kit, NG		N/A	
	Conversion Kit, LP		LPKI-6CM	Y
	Pilot Orifice, NG		593-528	Y
	Pilot Orifice, LP		593-527	Y
	Regulator, NG		NGK-DXV-50	Y
	Regulator, LP		LPK-DXV-50	Y