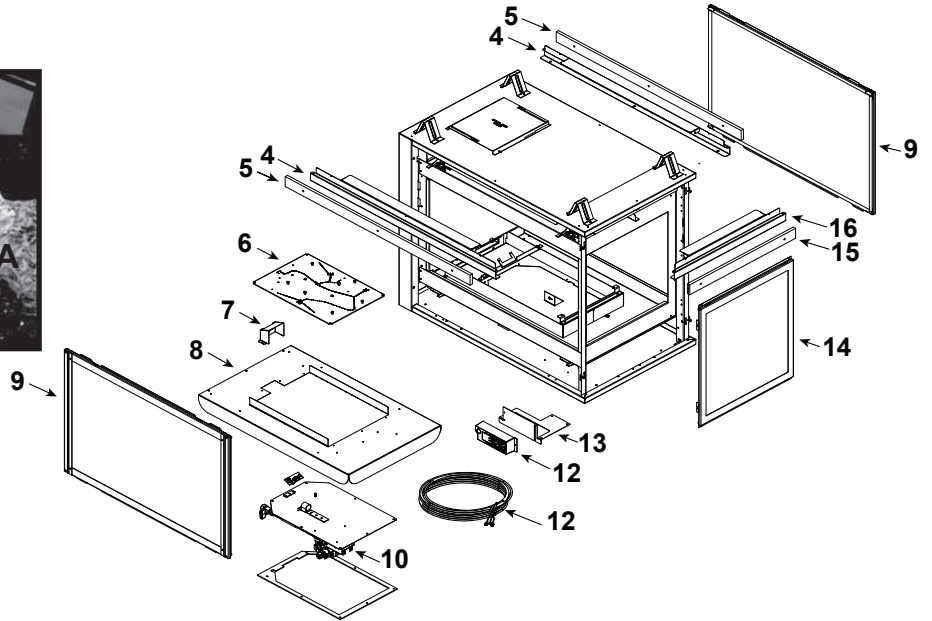
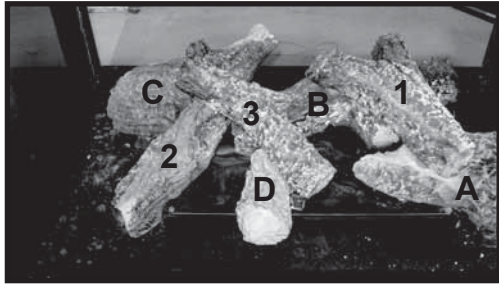


Log Set Assembly



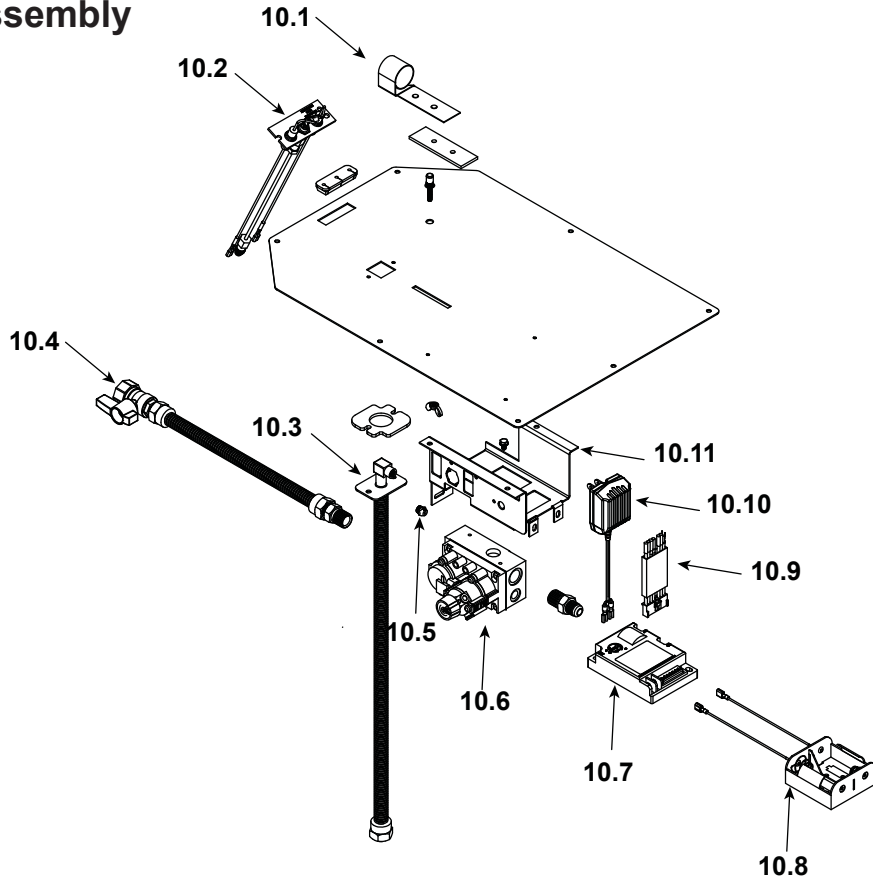
IMPORTANT: THIS IS DATED INFORMATION. Parts must be ordered from a dealer or distributor. **Hearth and Home Technologies does not sell directly to consumers.** Provide model number and serial number when requesting service parts from your dealer or distributor.



Stocked at Depot

ITEM	DESCRIPTION	COMMENTS	PART NUMBER	
	Log Set Assembly		LOGS-2129	Y
A	Log A	Pre 5/15/16, Must order complete assembly	SRV2129-701	
B	Log B		SRV2129-703	
C	Log C		SRV2129-702	
D	Log D		SRV2129-706	
1	Log 1		SRV2129-704	
2	Log 2		SRV2129-705	
3	Log 3		SRV2129-707	
4	Sheetrock Ledge (side)		2130-118	
5	Non-Comb, Long	Qty 2 req	2130-199	
6	Burner NG, LP		2128-007	Y
7	Pilot Shield		2128-124	
8	Base Pan		2132-115	
9	Glass Door Assembly (Side)		GLA-6TROC	Y
10	Valve Assembly		Refer to valve page	
11	Thermostat Wire		2118-170	Y
12	Junction Box		4021-013	Y
13	Junction Box Bracket		2128-128	
14	Glass Door Assembly (End)		GLA-2130	Y
15	Non-Comb, Short		2130-197	
16	Sheetrock Ledge (End)		2130-126	
	Surround Overlay (contains overlay for top, bottom and sides)		SRV2130-FACE	
	Refractory Panel		SRV2129-016	

#10 Valve Assembly



IMPORTANT: THIS IS DATED INFORMATION. Parts must be ordered from a dealer or distributor. **Hearth and Home Technologies** does not sell directly to consumers. Provide model number and serial number when requesting service parts from your dealer or distributor.



**Stocked
at Depot**

ITEM	DESCRIPTION	COMMENTS	PART NUMBER	
10.1	Shutter Bracket Assembly		2118-121	Y
10.2	Pilot Assembly NG		2208-012	Y
	Pilot Assembly LP		2208-013	Y
10.3	Flexible Gas Connector		530-302A	Y
10.4	Flex Ball Valve Assembly		302-320A	Y
10.5	Orifice NG (#32C)		582-832	Y
	Orifice LP (#50C)		582-850	Y
10.6	Valve NG		750-500	Y
	Valve LP		750-501	Y
10.7	Module		593-592	Y
10.8	Battery Pack		593-594A	Y
10.9	Module Wire Assembly		593-590A	Y
10.10	3 Volt Transformer		593-593A	Y
10.11	Valve Bracket		2118-104	
	3-Hole Grommet		2118-420	

Additional service part numbers appear on following page.

Beginning Manufacturing Date: Mar 2008
 Ending Manufacturing Date: March 2017

IMPORTANT: THIS IS DATED INFORMATION. Parts must be ordered from a dealer or distributor. **Hearth and Home Technologies does not sell directly to consumers.** Provide model number and serial number when requesting service parts from your dealer or distributor.



**Stocked
at Depot**

ITEM	DESCRIPTION	COMMENTS	PART NUMBER	
	Baffle (Exhaust Restrictor)		385-105	
	Flue Restrictor		385-128	
	Gasket Assembly		2128-081	
	Contains Vent, Seal Cap, Burner Neck, Shutter Bracket and Valve Plate Gaskets			
	Glass Latch Assembly	Qty 2 req	2382-400	Y
	Lava Rock		2005-790	
	Mineral Wool		050-721	
	Touch Up Paint		TUP-GBK-12	
	21 in Jumper Wire		2012-206	Y
	Conversion Kit NG		NGK-MS36	Y
	Conversion Kit LP		LPK-MS36	Y
	Pilot Orifice NG		593-528	Y
	Pilot Orifice LP		593-527	Y
	Regulator NG		NGK-DXV	Y
	Regulator LP		LPK-DXV	Y