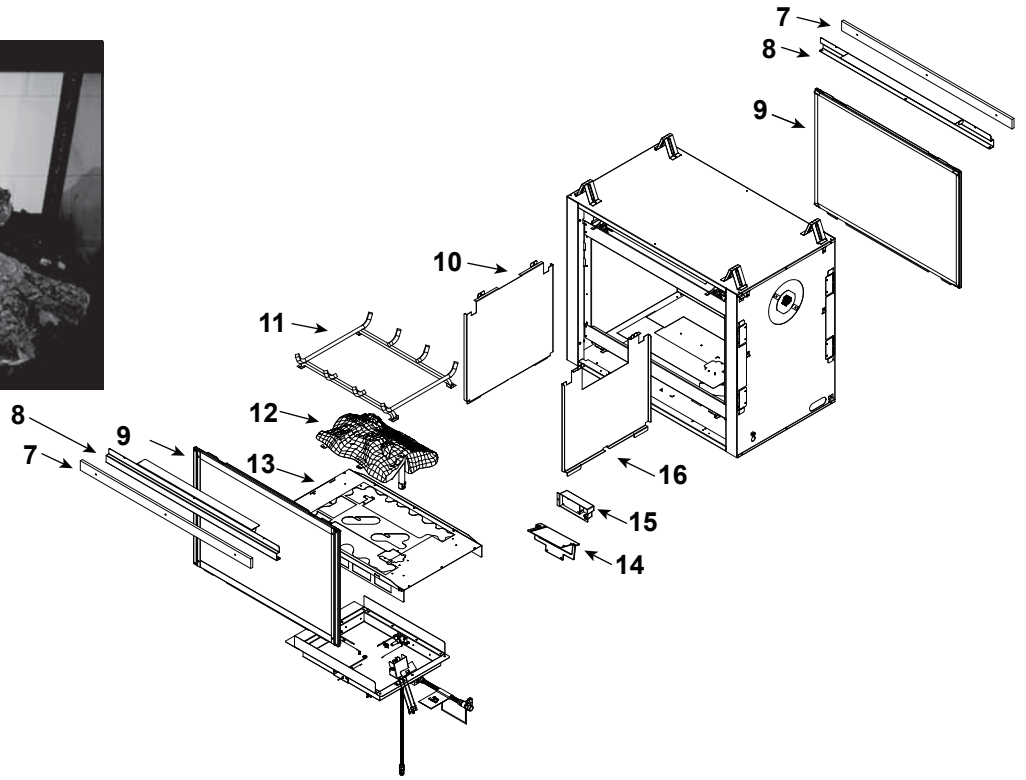
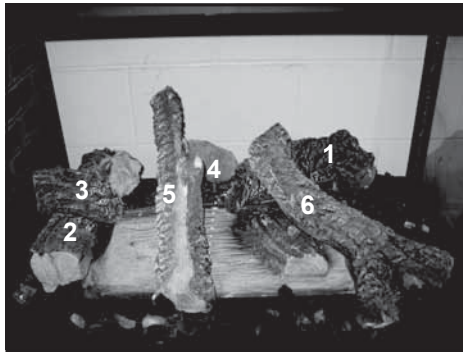


Log Set Assembly



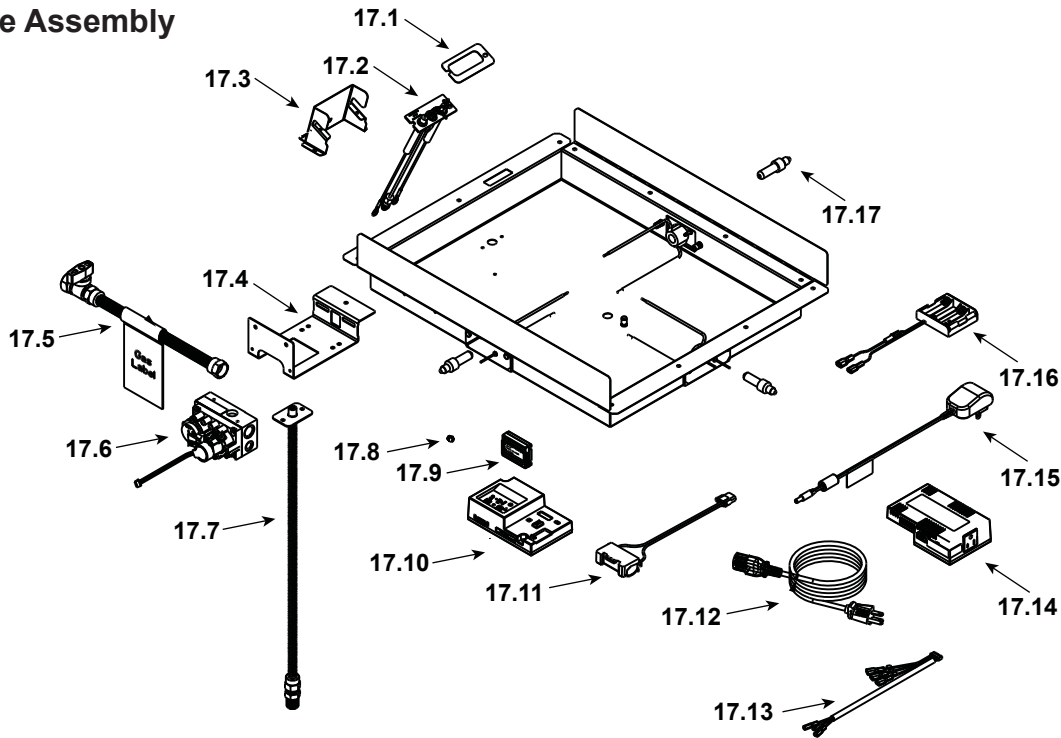
IMPORTANT: THIS IS DATED INFORMATION. Parts must be ordered from a dealer or distributor. **Hearth and Home Technologies does not sell directly to consumers.** Provide model number and serial number when requesting service parts from your dealer or distributor.



Stocked at Depot

ITEM	DESCRIPTION	COMMENTS	PART NUMBER	
	Log Set Assembly		LOGS-MSR	Y
1	Log 1		SRV2005-701	
2	Log 2		SRV2005-700	
3	Log 3		SRV2005-702	
4	Log 4		SRV2005-703	
5	Log 5		SRV2005-704	
6	Log 6		SRV2005-705	
7	Non-Comb	Qty 2 req	2130-196	
8	Sheetrock Ledge (Side)	Qty 2 req	2128-118	
9	Glass Door Assembly	Qty 2 req	GLA-6TROC	Y
10	Refractory		2128-117	
11	Grate Assembly		2005-012	
12	Burner NG, LP		2005-006	Y
13	Ember Mesh Assembly		2176-008	
14	Junction Box Bracket		2128-128	
15	Junction Box		4021-013	Y
16	Refractory (Air Passage Side)		2128-116	
	Surround Overlay (contains overlay for top, bottom and sides)		SRV2128-FACE	

#17 Valve Assembly



IMPORTANT: THIS IS DATED INFORMATION. Parts must be ordered from a dealer or distributor. **Hearth and Home Technologies does not sell directly to consumers.** Provide model number and serial number when requesting service parts from your dealer or distributor.



Stocked at Depot

ITEM	DESCRIPTION	COMMENTS	PART NUMBER	Stocked at Depot
17.1	Wind Baffle		2176-126	
17.2	Pilot Assembly NG		2478-012	Y
	Pilot Assembly LP	Convert 2478-012 with 593-527		Y
17.3	Pilot Bracket		2176-118	
17.4	Valve Bracket		2482-120	
17.5	Flex Ball Valve Assembly		302-320A	Y
17.6	Valve NG		2166-302	Y
	Valve LP		2166-303	Y
17.7	Flexible Gas Connector		2005-009	Y
17.8	Orifice NG (#32C)		582-832	Y
	Orifice LP (#50C)		582-850	Y
17.9	Module, RF FCC		2326-120	Y
17.10	Module, IFT Control		2326-130	
17.11	Connector Block Assembly		2482-019	Y
17.12	Cable, B Type AC Module		2326-152	Y
17.13	Harness, IFT 6 Pin Wiring		2326-132	Y
17.14	Module, B Type AC		2326-150	Y
17.15	Transformer, 6 Volt Wall		2326-131	Y
17.16	Battery Pack		2326-134	Y
17.17	Bulb, Halogen		700-542	Y

Additional service part numbers appear on following page.



Service Parts

ST-36TR-IFT

No one builds a better fire

Beginning Manufacturing Date: March 2017

End Manufacturing Date: Active

IMPORTANT: THIS IS DATED INFORMATION. Parts must be ordered from a dealer or distributor. **Hearth and Home Technologies does not sell directly to consumers.** Provide model number and serial number when requesting service parts from your dealer or distributor.



Stocked
at Depot

ITEM	DESCRIPTION	COMMENTS	PART NUMBER	Stocked at Depot
	Gasket Assembly Contains Vent, Seal Cap, Burner Neck, Shutter Bracket and Valve Plate Gaskets		2128-081	
	Glass Clip Support Assembly	Qty 8 req	2382-400	
	Lava Rock		2005-790	
	Mineral Wool		050-721	
	Remote, RC400		2326-110	
	Teco-Sil, 5lb. Bag White Ember Bed Rock		700-790	
	Touch Up Paint		TUP-GBK-12	
	Conversion Kit NG		NGK-MS36-IFT	Y
	Conversion Kit LP		LPK-MS36-IFT	Y
	Pilot Orifice NG		593-528	Y
	Pilot Orifice LP		593-527	Y
	Regulator NG		NGK-DXV-50	Y
	Regulator LP		LPK-DXV-50	Y